

CRITICAL: MEASURE FROM TOP OF FINISHED FLOOR OR FLOOR COVERING TO TOP OF TRACK

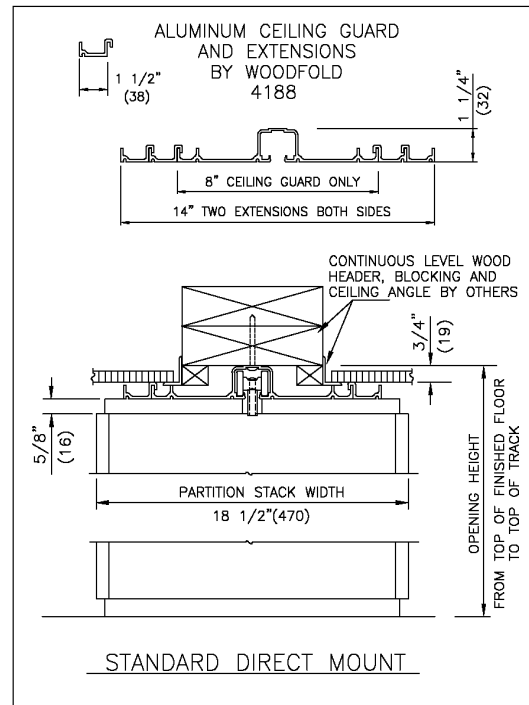
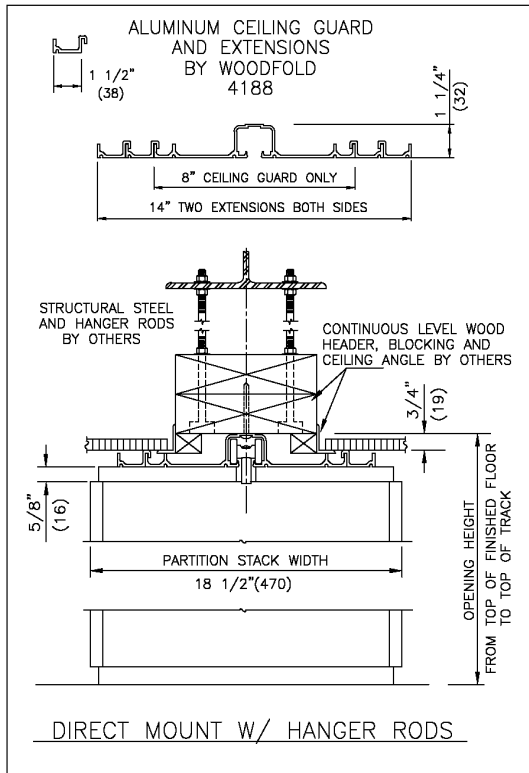
MEASURE HEIGHT AT SEVERAL PLACES ACROSS THE OPENING

ALL DIMENSIONS IN PARENTHESES ARE MILLIMETERS.

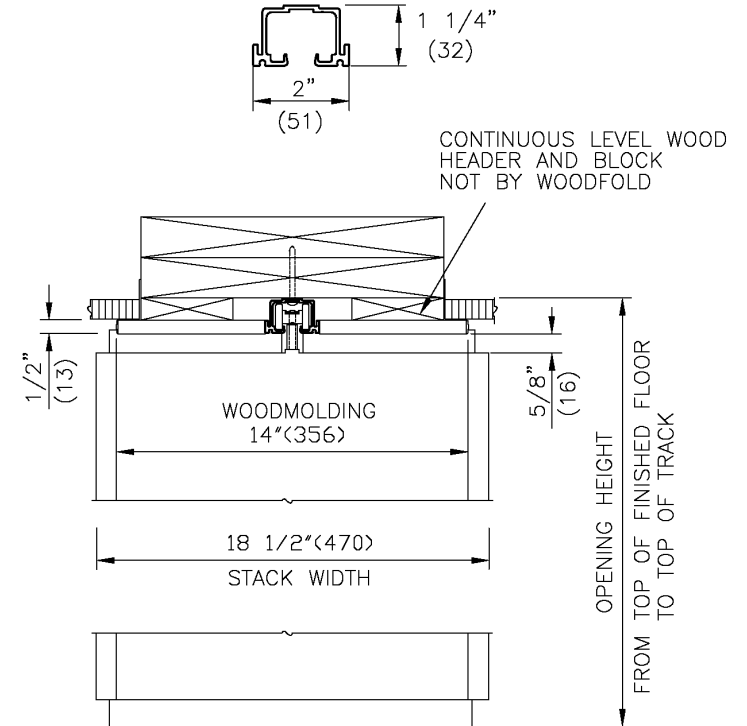
NOTES:

- Headers prepared by others to carry concentrated live load of partition(s) across entire opening. See specifications for lbs. per sq. ft. Headers must be level. Sway bracing, if required, by others.
- At poured concrete floors, place screeds to hold variation to no more than 1/4" (6), plus or minus, in 10'-0" (3048), non-accumulative, 16" (406) either side of center line of track.
- All grounds for jambs to be plumb to 1/4" (6), plus or minus, from finished floor to top of track.
- All structural requirements and trim, except jamb mould or ceilingguard by others.

SURFACE TRACK WITH WOOD MOLDING BY WOODFOLD 4188



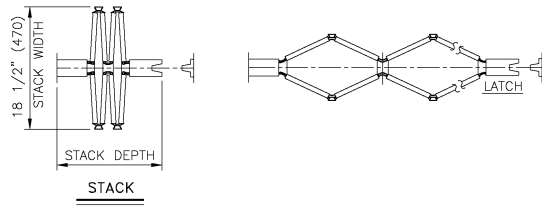
NOTE: # 14 X 2" (51) S.M. TRACK SCREWS



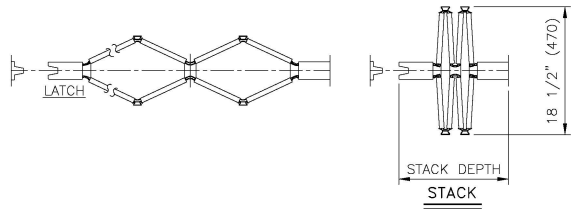
Woodfold Mfg, Inc.
Forest Grove, OR

| | |
|----------|--------------|
| PROJECT: | DATE |
| | SHEET 1 OF 1 |

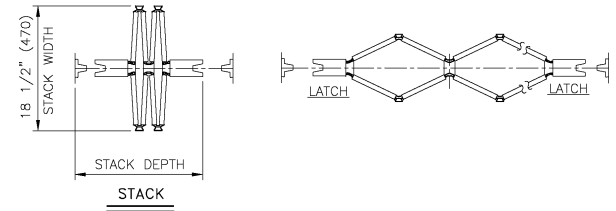
Single Fixed (Left Hand)-Jamb Partition



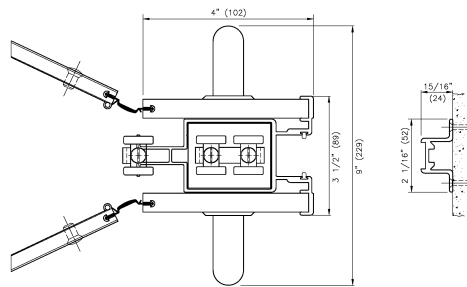
Single Fixed (Right Hand)-Jamb Partition



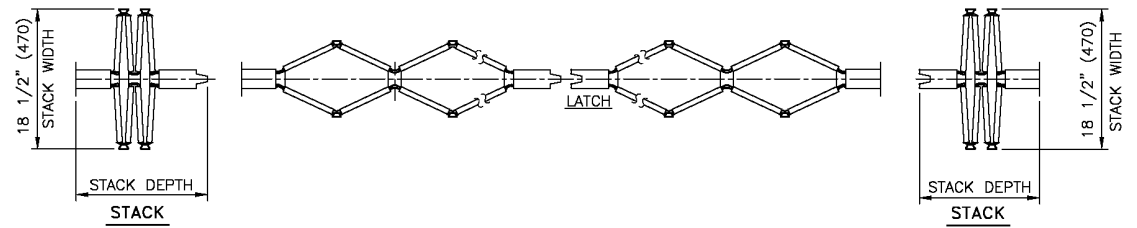
Double-End Post Partition



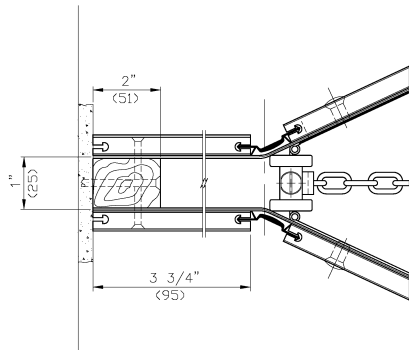
LEAD POST/JAMB MOLDING
WOODFOLD 4166/4188



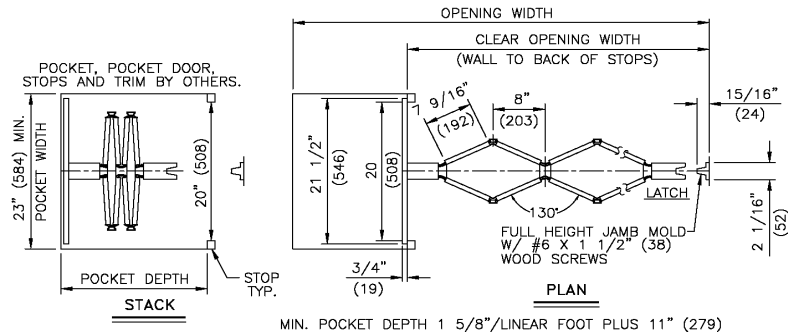
Joining Pair Of Fixed-Jamb Partitions



POST MOUNT
WOODFOLD 4166/4188



Sliding Jamb Partition-Pocket Installation



WOODFOLD 4188



Woodfold Mfg, Inc.
Forest Grove, OR

PROJECT:

DATE