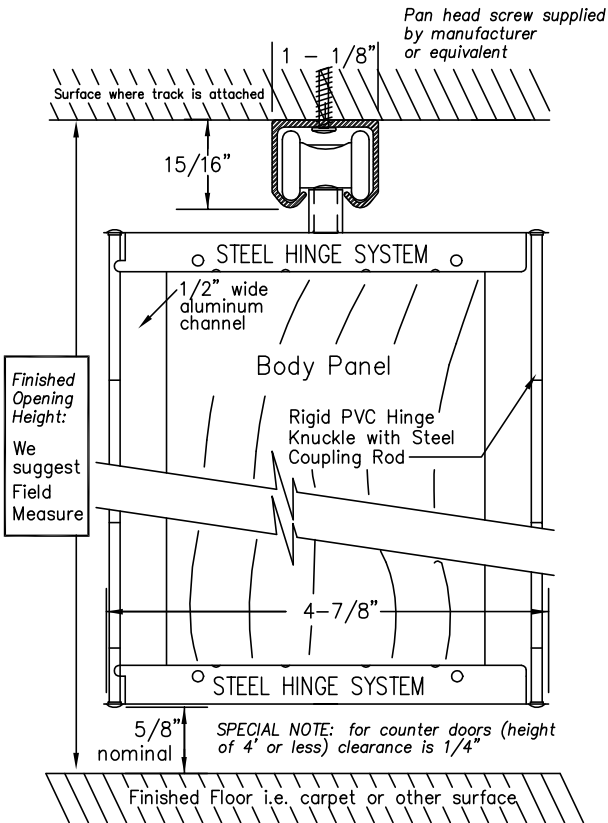
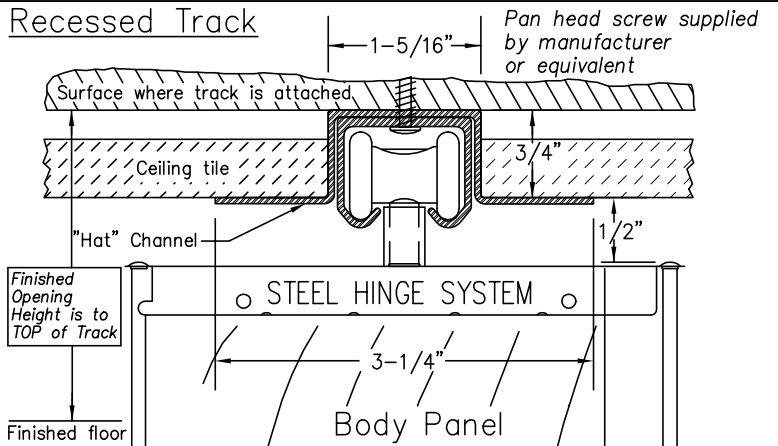


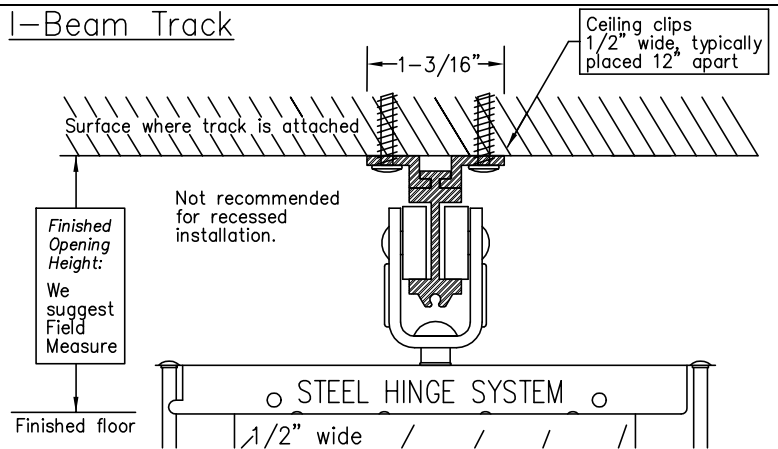
Surface Track



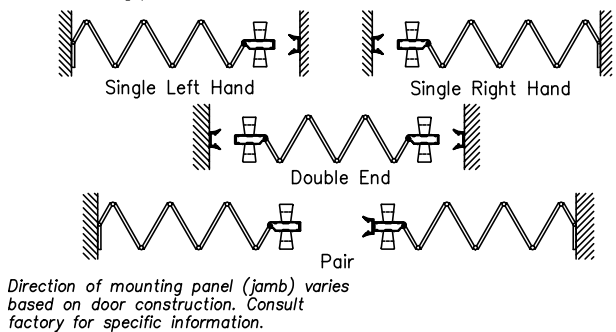
Recessed Track



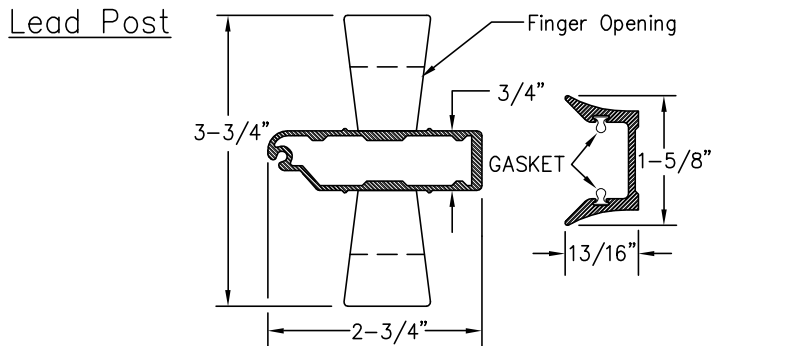
I-Beam Track



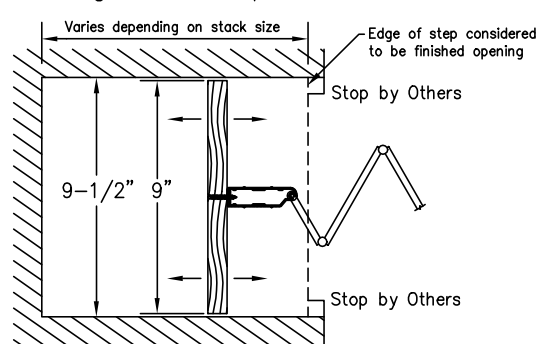
Door Types



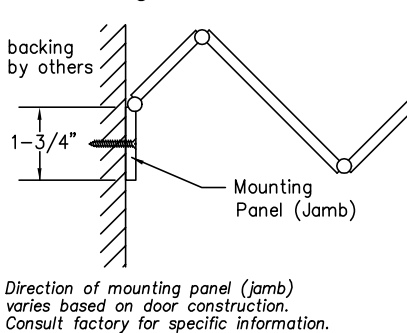
Lead Post



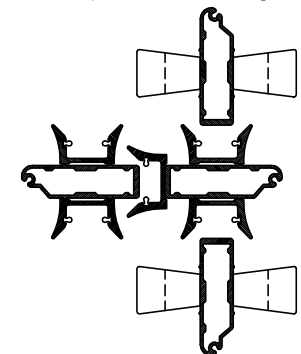
Sliding Jamb Option



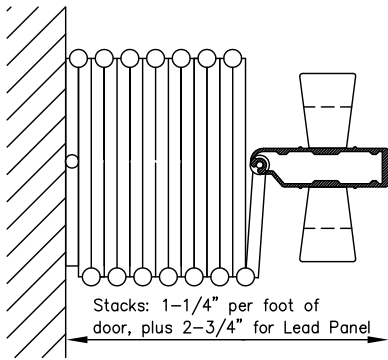
Mounting Panel



Multiple Meeting Option

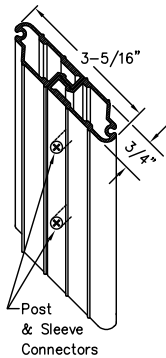


Stack Dimensions



Stacks: 1-1/4" per foot of door, plus 2-3/4" for Lead Panel

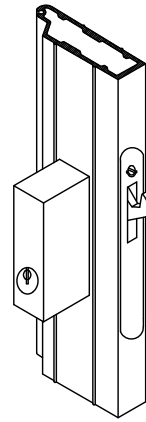
Intermediate Rolling Post



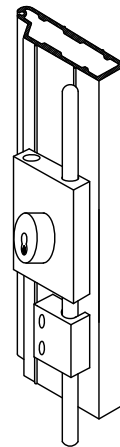
Privacy Latch



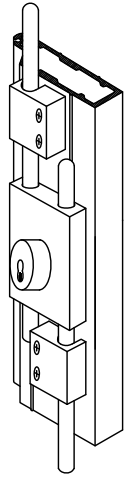
Keylock



Single Cremone Bolt Keylock



Double Cremone Bolt Keylock



INFORMATION

| | |
|------------------------------------|---|
| Width | Custom made to any width |
| Height | Custom made to 10' -1" |
| Panels | Acrylic, natural hardwood or vinyl-lam |
| Side Channel | Aluminum: White, Brown, Sand or Clear |
| Panel Connector | Rigid Vinyl: White, Brown, Sand or Clear Coordinated with side channel |
| Hinge System | Steel: Dark Bronze or Clear |
| Wheels | Ball bearing nylon wheels on steel axles |
| Track | Aluminum (straight or curvable): Dark Bronze or Clear |
| Recessed Channel/ "Hat" Channel | Aluminum (straight only): White |
| Lead, Intermediate and Jamb | Aluminum: White, Brown, Sand or Clear Coordinated with side channel |
| Latch | Deadlatch with Key Lock two sides |
| Header | Construction Details by Others |
| Door Weight | <u>Height</u> <u>Average Weight</u> 6'-8" 10lbs. Per lineal foot 8'-1" 12lbs. Per lineal foot 10'-1" 15lbs. Per lineal foot 12'-1" 18lbs. Per lineal foot |

See Woodfold Accordion Door brochure for additional details

Catch/Lock Options

| | |
|---------------------|--|
| Magnet | Magnet with strike plate |
| Privacy Latch | Deadlatch with thumb turn one side |
| Springlatch | Springlatch with thumb turn two sides |
| Keylock 1 Side | Deadlatch with thumb turn one side, keylock one side |
| Key and Single Bolt | Key and single bolt lock |
| Key and Double Bolt | Key and double bolt lock |
| Single Cremone | Single Cremone Bolt with Key Lock |
| Double Cremone | Double Cremone Bolt with Lock |
| Footbolts | Locking or non locking |
| Other Keyed Options | Keyed alike, custom keyed, construction core Contact manufacture for more details |

Job Name: _____
Job Location: _____
Supplier: _____

Architects Acceptance

| Qty. | Single/Pair | Single End/Double End | Left or Right Stack | Width X Height | Finish/Color | Comments |
|------|-------------|-----------------------|---------------------|----------------|--------------|----------|
| | | | | | | |
| | | | | | | |
| | | | | | | |

THESE SPECIFICATIONS ARE SUBJECT TO CHANGE WITHOUT NOTICE